



G4

**A new wave in automated
instrument washing and disinfection**

Introducing the new HYDRIM G4 WD series



Your Infection Control Specialist™

SciCan
A Sanavis Group Company

Taking control of your infection control



How automated washer-disinfectors in dental practices improve the sterilization process

The use of automated instrument washer-disinfectors (WD) is growing worldwide as regulatory authorities and dentists endorse and adopt what has come to be understood as the most effective and consistent means of cleaning and disinfecting instruments before sterilization.

Cleaning and Disinfection are the important first step in the sterilization chain.



The hazards of manual cleaning

Hand scrubbing is increasingly less used because it exposes staff to the hazards of skin punctures and can affect the productivity of the practice as it takes time away from patient care.

The limitations of ultrasonic cleaning

Ultrasonic cleaning is also used but its effectiveness compared to automated washing has long been under question. Ultrasonic cleaning requires subsequent rinsing before sterilization, adding steps to sterilization efficiency.

The challenge in both these methods is the effect on human resources. As Mark Tholen writes in *Dental Economics*, "Decontaminating, washing, rinsing, and drying instruments are extremely labor intensive and dramatically reduce the throughput speed of instrumentation through sterilization."^{*}

He points to the automated washer as the single greatest labor-saving device in a dental office, concluding that, "when [a washer is] used in combination with cassettes, approximately one hour of labor can be saved for every nine procedural set-ups that are processed through sterilization."^{*}

Delivering consistent, validated cleaning results

Consistent repeatable cycles are a key advantage to using automated washers because this offers the user control. It ensures every set of instruments receives the same validated cleaning process, and cycle data is recorded to provide accurately detailed and consistent documentation that establishes an accountability baseline for instrument cleaning.

^{*} Tholen, Mark, 10 Ideas to Increase Production and Decrease Expenses in Sterilization. (www.dentaleconomics.com/articles/print/volume-99/issue-10/features/increase-production-and-decrease-expenses-in-sterilization.html)

HYDRIM meets the Internet

The HYDRIM G4 is equipped with a web interface that enables online access and offers a platform with endless possibilities.



G4



A high-resolution, 65K color touch screen offers a vivid display of messages, current cycle information and customizable colors all with extraordinary clarity. Fully adjustable contrast levels let you optimize the screen to the lighting in your steri-center, and it's 2.5-inch by 3-inch dimensions allow easy viewing of cycle information.

CONNECT

The HYDRIM G4 is capable of communicating directly with service personnel or anyone you choose. Should the HYDRIM G4 ever need attention, diagnostic information can be sent via email to pre-selected dealer service reps, significantly reducing down time.



PROTECT



Patient safety relies on attention to detail. The HYDRIM G4 supports verifiable processes that are PIN protected with user-defined IDs so that staff members can be required to authorize a cycle. This encourages extra attention to process and creates a safer environment for both staff and patient.

COLLECT

With each cycle, information must be stored to protect your office and your patients. The integrated data logger stores all cycle information for the lifetime of the unit. A USB port allows for the manual retrieval of cycle history. The 10/100 Base-T Ethernet connection puts your PC in direct contact with your HYDRIM G4 and the RS232 serial printer port allows you to connect with an external printer.





HYDRIM c61 wd G4 washer-disinfector

BENEFITS

- Designed in accordance with ISO 15883-1 and -2, the international standard for washer-disinfectors
- The unit can be installed on the countertop or built into a steri-center under the counter
- Large chamber volume – 6 full sized IMS cassette capacity, the HYDRIM C61wd can turn over 120 instruments in just 60 minutes – start to dry
- G4 web portal interface includes data storage, service logs and remote access capabilities
- Validated cycles to ensure repeatable washing and disinfection performance
- HIP cleaning solution is stored the unit, so no extra storage space requirements
- Improved serviceability, reliability and minimal maintenance requirements
- Robust stainless steel exterior
- Vivid color touch screen
- Active drying with a HEPA filter

SPECIFICATIONS

Size:

Dimensions: (w x h x d)	598 x 520 x 526mm (23.5" x 20.5" x 20.7")
Depth with door open:	82.9 cm 32.6"
Weight:	44kg / 97lbs

Cycle Times*

Rinse and Hold	5 mins
Regular Wash + Dry	26 mins. + 10 mins.
Heavy Duty Wash with Disinfection +	42 mins. + 10 mins.

Water Consumption Per Cycle:

Rinse and Hold	7.6 litres / 1.7 gallons
Regular Wash	11.5 litres / 3 gallons
Heavy Duty Wash & Disinfection	11.5 litres / 3 gallons


Electrical Connection

Electrical Rating:	208-240V, 12A, 60 Hz
Running noise:	< 65 dB

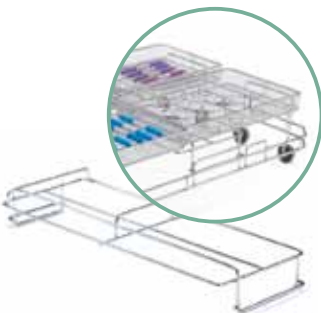
Water and Drain Connections

Hot and Cold Water Tap Connection	3/4" Garden hose, male
Recommended Hot Water Temperature	60°C / 140°F
Cold Water Temperature	< 30°C / 86°F
Inlet Water Pressure	1 - 10 bar / 14.5 - 145 psi
Drain	2 cm / 3/4"

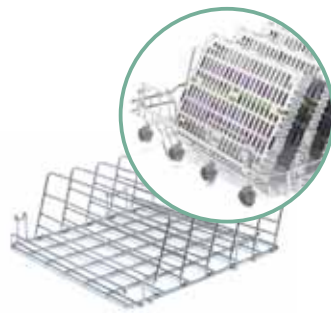
*Actual cycle times will vary with incoming water temperature and pressure.

Manufactured in Canada 

ACCESSORIES



Two basket rack
p/n 01-113257
16" x 6" x 16"
(407 x 154 x 37mm)



Six cassette rack
p/n 01-113251
16 x 15 x 5"
(424 x 390 x 137mm)



Four double stacked cassette
p/n 01-113252
16 x 15 x 5"
(424 x 390 x 137mm)



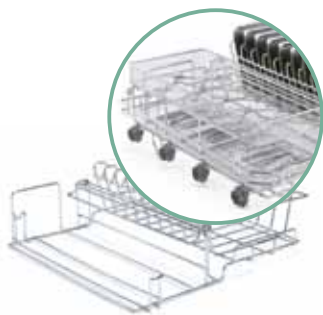
Three cassette, two basket rack
p/n 01-113253
16" x 15" x 5"
(424 x 390 x 137mm)



Click here to watch the video.



CYCLES



Ten tray two basket rack
p/n 01-113254
16" x 15" x 5"
(424 x 390 x 137mm)



Large basket
p/n/ 01-113547
8.5 x 7" x 2"
(217 x 172 x 54mm)



Basket with hinged lid
p/n 01-113547
8.5" x 7" x 2"
(217 x 172 x 54 mm)



HIP ULTRA
cleaning solution
p/n CS-HIPC
(8 X 750ML)



HYDRIM M2 G4 washer-disinfector

BENEFITS

- Designed in accordance with ISO 15883-1 and -2, the international standard for washer-disinfectors
- HYDRIM M2 G4 can process 1,500 instruments in a 10-hour day
- Under counter steri-center installation, but can also be a freestanding unit
- G4 web portal interface includes data storage, service logs and remote access capabilities
- Validated cycles to ensure repeatable washing and disinfection performance
- Ten 8" x 11" IMS cassette capacity
- HIP cleaning solution is stored in the unit, so no extra storage space requirements
- USB port for data storage
- Robust stainless steel exterior
- Vivid color touch screen
- Active drying with a HEPA filter

SPECIFICATIONS

Size:

Dimensions: (w x h x d)	600 x 850 x 600 mm (23.75" x 33.5" x 23.75")
Depth with door open:	1200 mm / 47"
Weight:	80 kg / 176 lbs.

Cycle Times*

Rinse and Hold	9 mins
Regular Wash + Dry	31 mins. + 20 mins.
Heavy Duty Wash with Disinfection + Dry	51 mins. + 20 mins.

Water Consumption Per Cycle:

Rinse and Hold	11.5 litres / 3 gallons
Regular Wash	19 litres / 4.75 gallons
Heavy Duty Wash	25 litres / 6.25 gallons


Electrical Connection

Electrical Rating:	230-240VAC ±10%, 60 Hz, 12A
Running noise:	< 65 dB

Water and Drain Connections

Hot and Cold Water Tap Connection	3/4" Garden hose, male
Recommended Hot Water Temperature	60°C / 140°F
Cold Water Temperature	< 30°C / 86°F
Inlet Water Pressure	1 - 10 bar / 14.5 - 145 psi
Drain	2 cm / 3/4"

*Actual cycle times will vary with incoming water temperature and pressure.

Manufactured in Canada 

ACCESSORIES



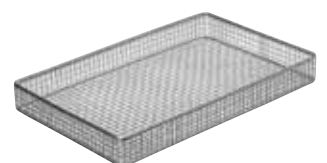
Hinged instrument rack
p/n 01-110409S
7.5" x 4" x 4.3"
(192 x 100 x 109 mm)



Basket with hinged lid, 1/4 size
p/n 01-109966S
6" x 8.5" x 2"
(159 x 216 x 54 mm)



Hygiene basket, 1/4 size
p/n 01-109967S
6" x 8.5" x 2"
(159 x 216 x 44mm)



STATIM 2000 Basket
p/n 01-107240
11" x 7" x 1.5"
(275 x 178 x 42mm)

CYCLES



STAT/M 5000 Basket
P/N/ 01-107241
13.5" x 7" x 1.5"
(373 x 178 x 42 mm)



Long Basket
p/n 01-108232
18" x 6" x 1.5"
(442 x 150 x 42 mm)



Cleaning Solution
Bottle
CS-HIPL
Case of 2 x 3.8 L



5-Cassette Rack, Full Size
p/n 01-109963S
19" x 13 x 6"
(480 x 355 x 158 mm)



5-Cassette Rack, Half Size
p/n 01-109964S
19" x 7" x 6"
(480 x 168 x 158 mm)

STATIM® 2000 G4

Cassette autoclave



STATIM® 5000 G4

Cassette autoclave



BRAVO™

Vacuum chamber autoclave



OPTIM® 33TB

Surface cleaner and disinfectant



STATMATIC™

Automatic handpiece maintenance unit



STATMATIC™ PLUS*

Automatic handpiece maintenance unit



SANAO™*

Handpieces



STATIS®*

High speed handpieces



STATMAT

Silicone mat for STATIM autoclaves



Manufactured by:

SciCan Ltd.

1440 Don Mills Rd., Toronto, Ontario M3B 3P9
Phone (416) 445-1600 • Fax (416) 445-2727
Toll Free 1-800-667-7733 • custservice.ca@scican.com

*Manufactured by:

SciCan GmbH

Wangener Strasse 78
88299 Leutkirch GERMANY
Tel.: +49 (0)7561 98343 - 0
Fax: +49 (0)7561 98343 - 699

FOLLOW US ON:



Facebook: I love STATIM



Twitter: @SciCan_EU

SciCan

Your Infection Control Specialist™

www.scican.com